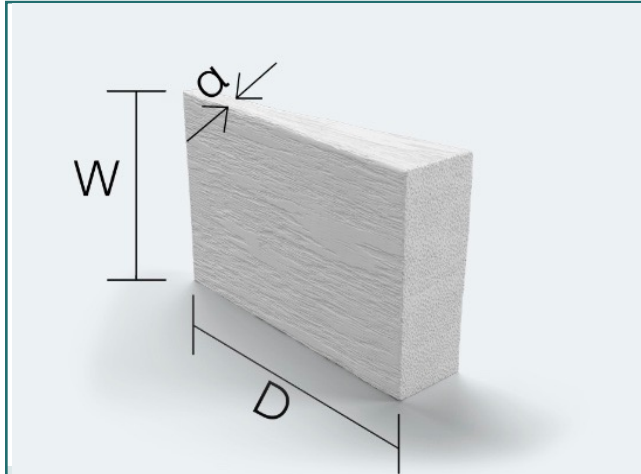


WEDGES - available sizes



b.Bone™ is intended for use as a bone graft for voids or gaps that are not intrinsic to the stability of the bony structure. It is indicated in the treatment of surgically created osseous defects or osseous defects resulting from traumatic injury to the bone.

b.Bone™ is intended to be implanted into bony voids or gaps of the skeletal system as a bone substitute, in the extremities and pelvis.

Product code	Depth (D)	With (W)	Angle (α)
WE093015PS	30 mm	15 mm	9°
WE113015PS	30 mm	15 mm	11°
WE133015PS	30 mm	15 mm	13°
WE094030PS	40 mm	30 mm	9°
WE114030PS	40 mm	30 mm	11°
WE134030PS	40 mm	30 mm	13°